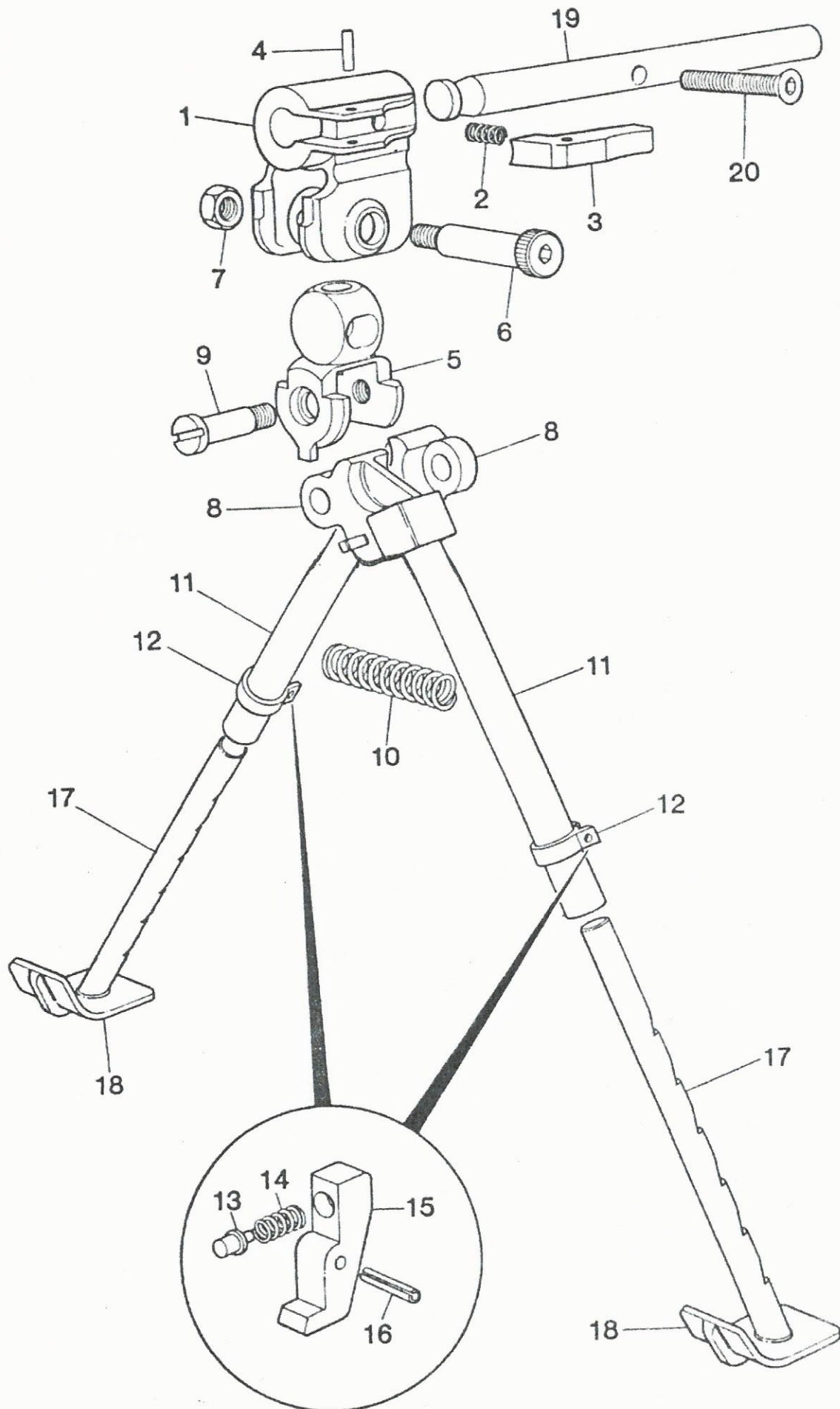


BIPOD TYPE 1



Bipod Type 1

IDENT	DESCRIPTION	PART NUMBER	ASSEMBLY	QUANTITY
1	MOUNTING SLEEVE	AC200		1
2	SPRING CATCH	AC255		1
3	CATCH MOUNTING SLEEVE	AC220		1
4	PIN MOUNTING SLEEVE	AC214		1
5	BRACKET LEG LOCATION	AC194		1
6	SWIVEL PIN	AC199		1
7	NUT SWIVEL PIN	AC197		1
9	PIN FIXING BRACKET	AC198		1
10	SPRING LEG LOCATION	AC201		1
LEFT UPPER TUBE ASSEMBLY				
8	CAP LEG	AC241	} AC208	1
11	TUBE UPPER	AC243		
12	BRACKET CATCH	AC245		
RIGHT UPPER TUBE ASSEMBLY				
8	CAP LEG	AC241	} AC218	1
11	TUBE UPPER	AC243		
12	BRACKET CATCH	AC245		
13	STOP PEG	AC250		2
14	SPRING STOP PEG	AC251		2
15	CATCH LEG	AC244		2
16	PIN BRACKET CATCH	AC249		2
LEFT LOWER LEG ASSEMBLY				
17	LEG LOWER	AC242	} AC204	1
18	SHOE LEFT	AC275		
RIGHT LOWER LEG ASSEMBLY				
17	LEG LOWER	AC242	} AC214	1
18	SHOE RIGHT	AC276		
SPIGOT ASSEMBLY				
19	SPIGOT BIPOD	98/739	} AC267	1
20	GUIDE PEG	98/740		
21	SCREW MOUNTING SPIGOT			1